

## G-Series



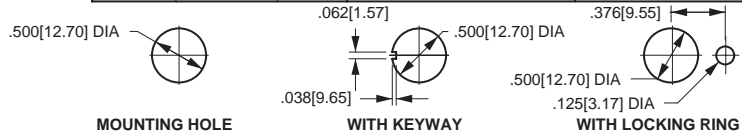
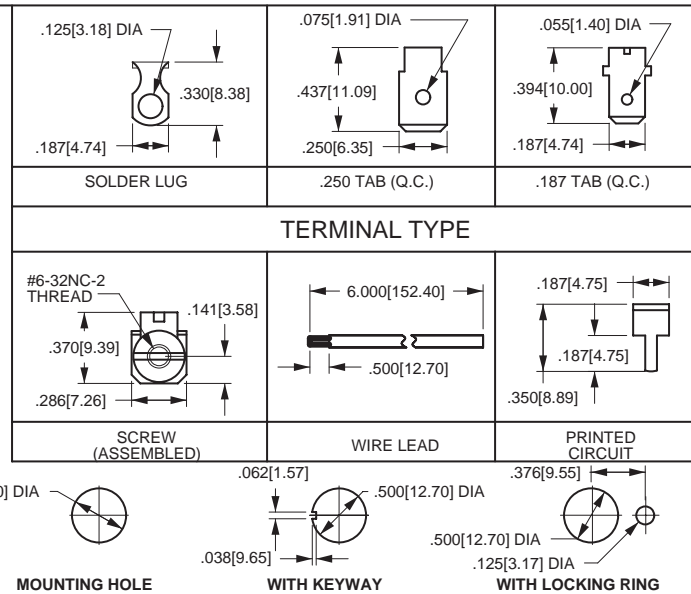
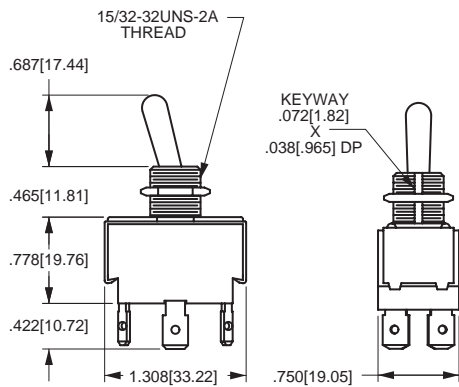
The G-Series toggle switches are single or double pole, AC rated up to 20 amps and contain a slow-make, slow-break contact mechanism. These switches are available in a wide range of ratings, terminations, circuits and bushing/toggle configurations.

### Specifications

- Certifications\*: UL, CSA, VDE
- Dielectric Strength: 1,000 V (minimum)
- Insulation Resistance: 100 Megohms (minimum)
- Base Material: Phenolic
- Actuator Material: Brass/Nickel Plate or Polycarbonate
- Bushing Material: Brass/Nickel Plate or Polycarbonate

\* Due to ongoing technological advances, consult factory for certification specifics.

### Dimensional Specifications: in. [mm]



<b>2G</b>	<b>A</b>	<b>5</b>	<b>1</b>	<b>-</b>	<b>73</b>			
<b>SERIES</b>	<b>RATING<sup>2</sup></b>	<b>TERMINATION/FUNCTION</b>						
<b>2G MAINTAINED</b> <b>6G MOMENTARY</b>	<b>0</b> 20A 250VAC <b>5</b> 10A 250VAC 15A 125VAC 3/4HP 125-250VAC <b>6</b> 3A 250VAC 6A 125VAC 1/4HP 125-250VAC <b>7</b> 12A 250VAC 17A 125VAC 1HP 250VAC <b>9</b> 10A 250VAC 15A 125VAC 12(6)A 250VAC T85 3/4HP 125-250VAC <b>72</b> 20A 125-277VAC 1 1/2HP 125VAC 2HP 250VAC	<b>FUNCTION</b> ON-NONE-OFF (ON)-NONE-OFF ON-NONE-(OFF) ON-NONE-ON ON-NONE-(ON) ON-OFF-ON ON-OFF-(ON) (ON)-OFF-(ON)	<b>SOLDER LUG</b> <b>0</b> <b>A</b> <b>L</b> <b>0</b> <b>A</b> <b>0</b> <b>A</b> <b>L</b>	<b>TAB (QC)</b> <b>1</b> <b>B</b> <b>M</b> <b>1</b> <b>B</b> <b>1</b> <b>B</b> <b>M</b>	<b>TAB (QC)</b> <b>3</b> <b>D</b> <b>R</b> <b>3</b> <b>D</b> <b>3</b> <b>D</b> <b>R</b>	<b>SCREW TERM.</b> <b>4</b> <b>E</b> <b>S</b> <b>4</b> <b>E</b> <b>4</b> <b>E</b> <b>S</b>	<b>WIRE LEAD</b> <b>5</b> <b>F</b> <b>T</b> <b>5</b> <b>F</b> <b>5</b> <b>F</b> <b>T</b>	<b>PC TERM.</b> <b>6</b> <b>G</b> <b>U</b> <b>6</b> <b>G</b> <b>6</b> <b>G</b> <b>U</b>
<b>CIRCUIT<sup>1</sup></b>					<b>TOGGLE STYLE<sup>3</sup></b>			
<b>SINGLE POLE IN</b> <b>DOUBLE POLE BASE</b> <b>A</b> ON-NONE-OFF <b>B</b> ON-NONE-ON <b>C</b> ON-OFF-ON					<b>TOGGLE LENGTH</b> <b>BAT</b> .406 .562 .687 1.00 1.25 .687 .687 1.50	<b>BUSHING LENGTH</b> .343 .465 .465 .465 .465 .465 .465	<b>SUFFIX NO.</b> <b>52</b> <b>63</b> <b>73</b> <b>A3</b> <b>B3</b> <b>NBL3</b> <b>NWH3</b> <b>C3</b>	<b>NEOPRENE SEAL</b> <b>57</b> <b>68</b> <b>78</b> <b>A8</b> <b>B8</b> <b>NBL8</b> <b>NWH8</b> <b>C8</b>

**NOTES:**

Shading indicates standard configurations.

For bushing accessories, see pages 69 and 70.

1 Additional circuits are available on page 53.

2 Additional ratings available. Consult factory.

Rating Code 5 is applicable to certain circuits only. Consult factory for specifics.

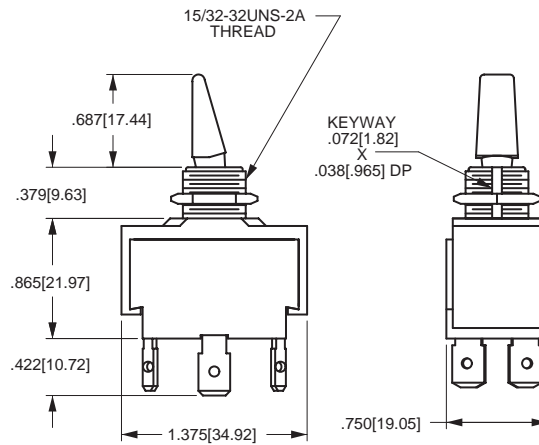
Rating 9 is only available with nylon bushing and actuator. See page 53 for callout.

Rating 9 is only available with terminations 0 and 1, circuits A, B, K and L only.

Rating 72 is only available in maintained circuits and nylon construction. See page 53 for callout.

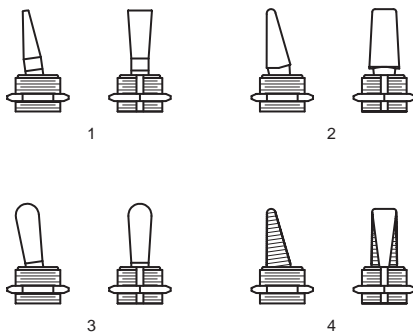
3 NBL toggle uses black oxide plated metal bushing for standard construction. NWH toggles use nickel plated metal bushing for standard construction.

## Nylon Toggle



S.P. OR D.P. NYLON

FOR NYLON TOGGLES  
AFTER TERMINATION SELECTION, ADD SUFFIXES:  
(ex.) 2GK51-D-4B-B



<b>D</b>	-	<b>4</b>	-	<b>B</b>	-	<b>B</b>
NYLON TOGGLE		TOGGLE STYLE (SEE DRAWING AT LEFT)		ACTUATOR COLOR		BUSHING COLOR
D		1 2 3 4 (WITH NEOPRENE SEAL)		B BLACK W WHITE		B BLACK W WHITE

## Additional Circuits<sup>1</sup>

CIRCUIT	POSITION 1	POSITION 2	POSITION 3
<b>PROGRESSIVE TWO CIRCUIT</b>			
<b>2GH</b>	CIRCUIT 1 ON	2 CIRCUITS ON	CIRCUIT 2 ON
<b>2GP</b>	CIRCUIT 2 ON	CIRCUIT 1 ON	OFF
<b>2GG</b>	2 CIRCUITS ON	CIRCUIT 1 ON	OFF
<b>6GG MOMENTARY</b>	2 CIRCUITS (ON)	CIRCUIT 1 ON	OFF
<b>SINGLE POLE TRIPLE THROW</b>			
<b>2GE</b>	ON	ON	ON
<b>REVERSING DOUBLE POLE DOUBLE THROW*</b>			
<b>2GX</b>	ON	NONE	ON
<b>2GO</b>	ON	OFF	ON
<b>6GO MOMENTARY</b>	(ON)	OFF	(ON)

\*WITH REVERSING DOUBLE POLE DOUBLE THROW CIRCUITS, USE TERMINATION/FUNCTION FROM FOLLOWING OPTIONS:

	SOLDER LUG	.250 TAB (Q.C)	SCREW TERM.	WIRE LEAD
<b>3</b>		<b>3/TABS</b>	<b>4</b>	<b>1</b>
<b>3</b>		<b>3/TABS</b>	<b>4</b>	<b>1</b>
<b>3</b>		<b>3/TABS</b>	<b>4</b>	<b>1</b>

NOTES:

Shading indicates standard configurations.

<sup>1</sup> Additional momentary circuits are available. Consult factory for details.